

SIRUBA
GAGE PARTS LIST

Series		Remark		Page	Date
DL7000		BM1/BH1		1/1	2019/01/01

DL7000-BM/BH規格件表 CONVERSION CHART

P1

MODEL	SUB-CLASS	OPERATING PANEL	NEEDLE PLATE	FEED DOG	PRESSER FOOT	HOOK ASM	BOBBIN CASE ASM	BOBBIN	NEEDLE	HAND WHEEL	MOTOR
機 型	規 格	操 作 盒	針 板	送 具	押 具	梭 頭	梭 殼	梭 子	針 號	手 輪	馬 達
DL7000-BM1-10 ~ DL7000-BM1-13	薄中布 至	LU280-A	E704	D701	P701	G121	G202	G303	DBX1 #14	LH500-E	TS008S11
DL7000-BM1A-10 ~ DL7000-BM1A-13			E704D	D702	P701	G121	G202	G303			
DL7000-BH1-10 ~ DL7000-BH1-13			E711	D711	P711	G125J	G202	G303			
DL7000-BH1A-03 ~ DL7000-BH1A-13	厚布料		E711D	D711D	P711D	G125J	G202	G303	DBX1 #21		

SIRUBA MODEL COMPARE LIST	Series	Remark	Page	Date
	DL918/DL7000	BM1/BH1	1/2	2012/1/31

DL918/DL7000 型別件表

MODEL	SUB-CLASS	SPRING	SPRING	NEEDLE BAR	BUSING	THREAD TAKE UP LEVER	THREAD GUIDE	THREAD GUIDE BAR	THREAD GUIDE	ADJUSTING KNOB
機 型	規 格	控線彈簧	控線彈簧	針棒	襯套	天 秤	導線片	導線桿	導線環片	調整旋鈕
BM-XX	薄布料 ~ 中厚料	LA31	LA22	LG104H LG04	LG07	LG13	A LB06	-	LG09	LC623G
						B SK241				
BH-XX	中厚料 ~ 厚布料	LA131	LA122	LG104	LG107	LG113	-	A LB100	LG109	LC600G
								B LB106		
								C NK23		
								D WK09		

SIRUBA

MODEL COMPARE LIST

Series

DL918/DL7000

Remark

BM1/BH1

Page

2/2

Date

2013/05/10

DL918/DL7000 型別件表

MODEL	SUB-CLASS	CRANK SHAFT	FIXED PIN	COVER					
				護蓋					
BM-XX	親布料 ~ 中厚料	LG15	LC13	A	LG01				
				B	SK219				
BH-XX	中厚料 ~ 厚布料	LG615	LC613	A	LG101				
				B	SK501				

SIRUBA

PARTS LIST

Series

DL7000-BM1/BH1

Parts Group

LA

Subclass / Remark

Page

2/2

Date

2013/11/15

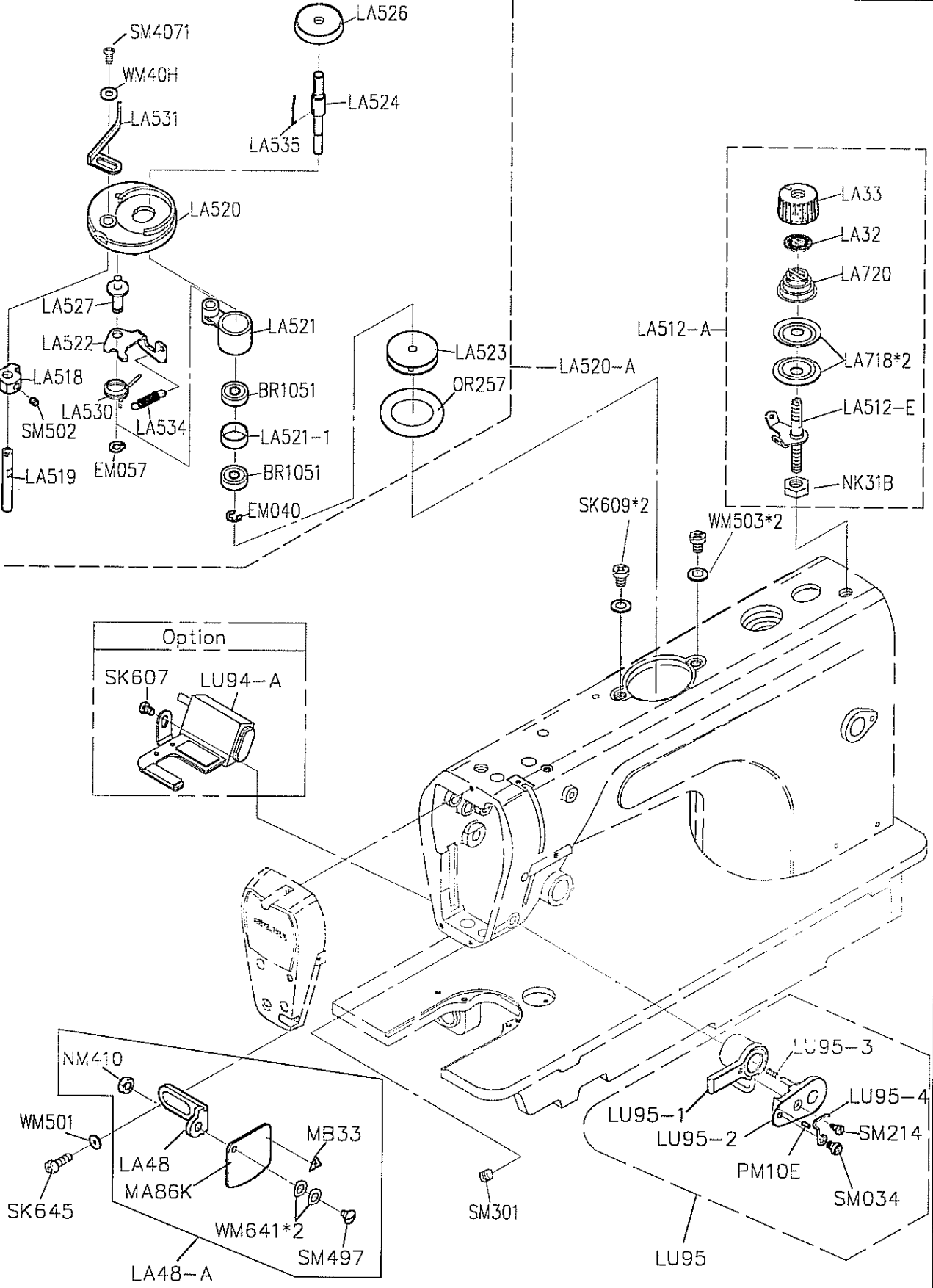
A

B

C

D

E



1

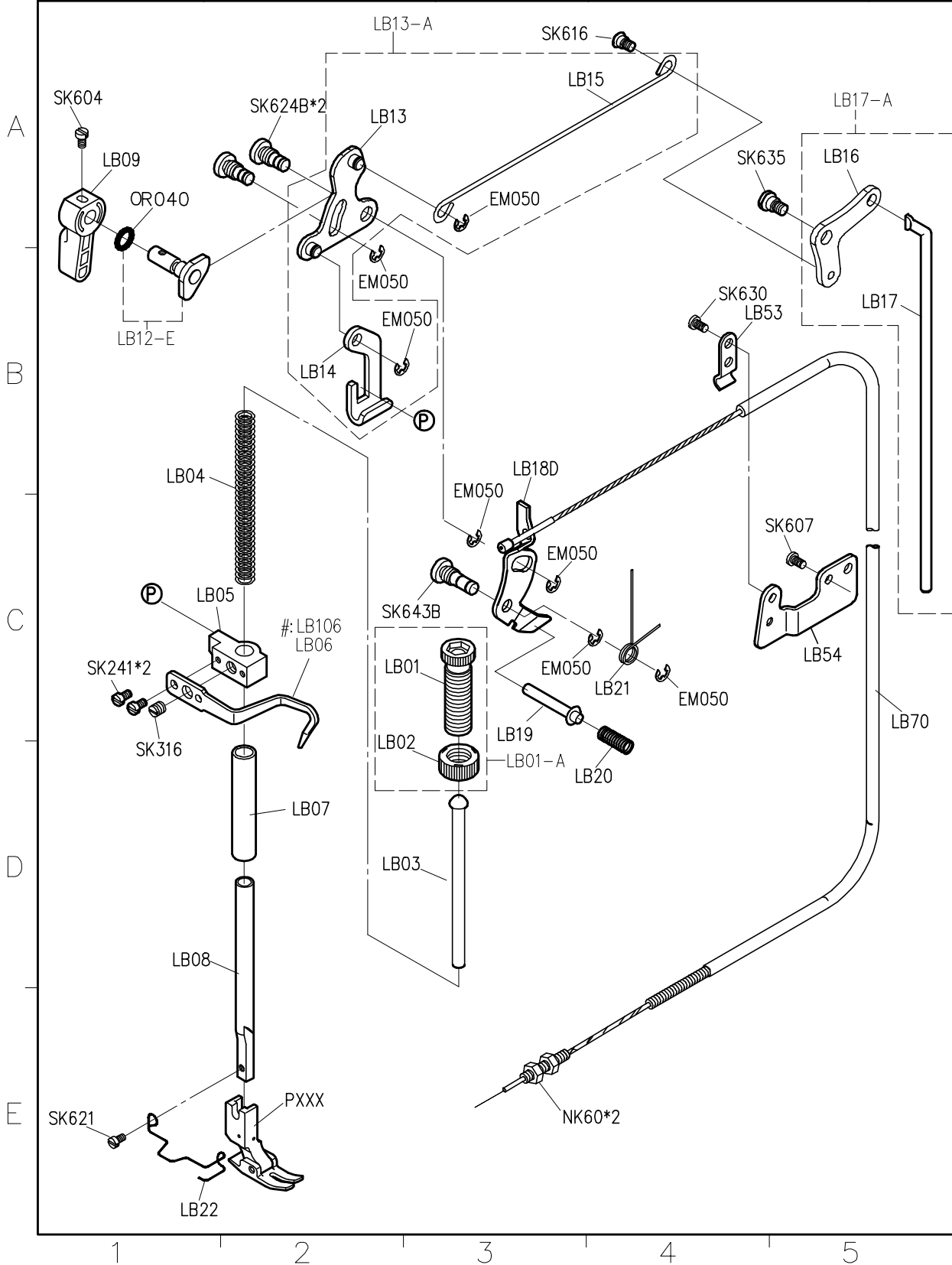
2

3

4

5

SIRUBA PARTS LIST	Series	Parts Group	Subclass / Remark	Page
	DL7000-BM1/BH1	LB	#:Use for BH1	1/1
				Date
				2013/01/01



SIRUBA

PARTS LIST

Series

DL7000-BM1/BH1

Parts Group

LC

Subclass / Remark

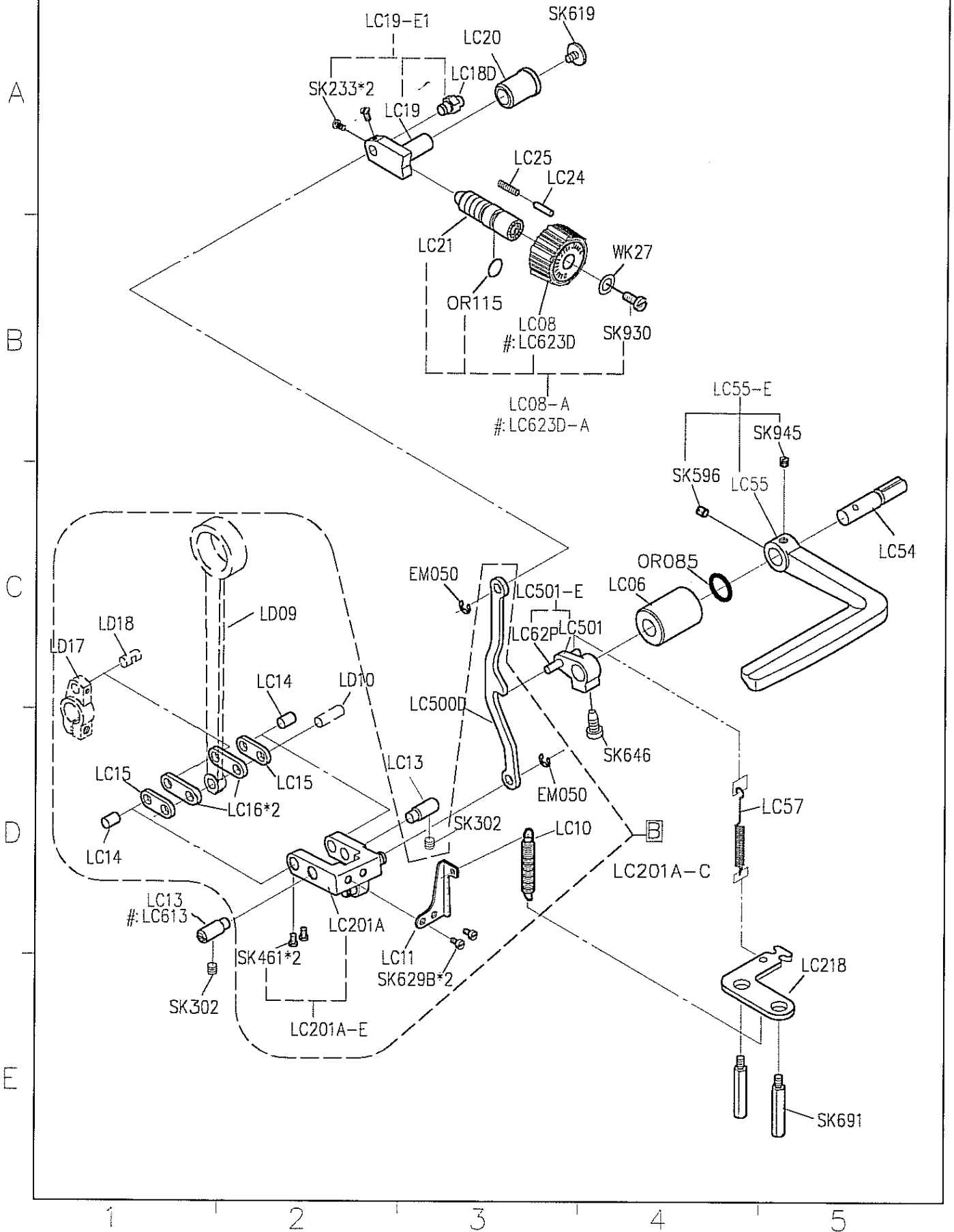
#:Use for BH1

Page

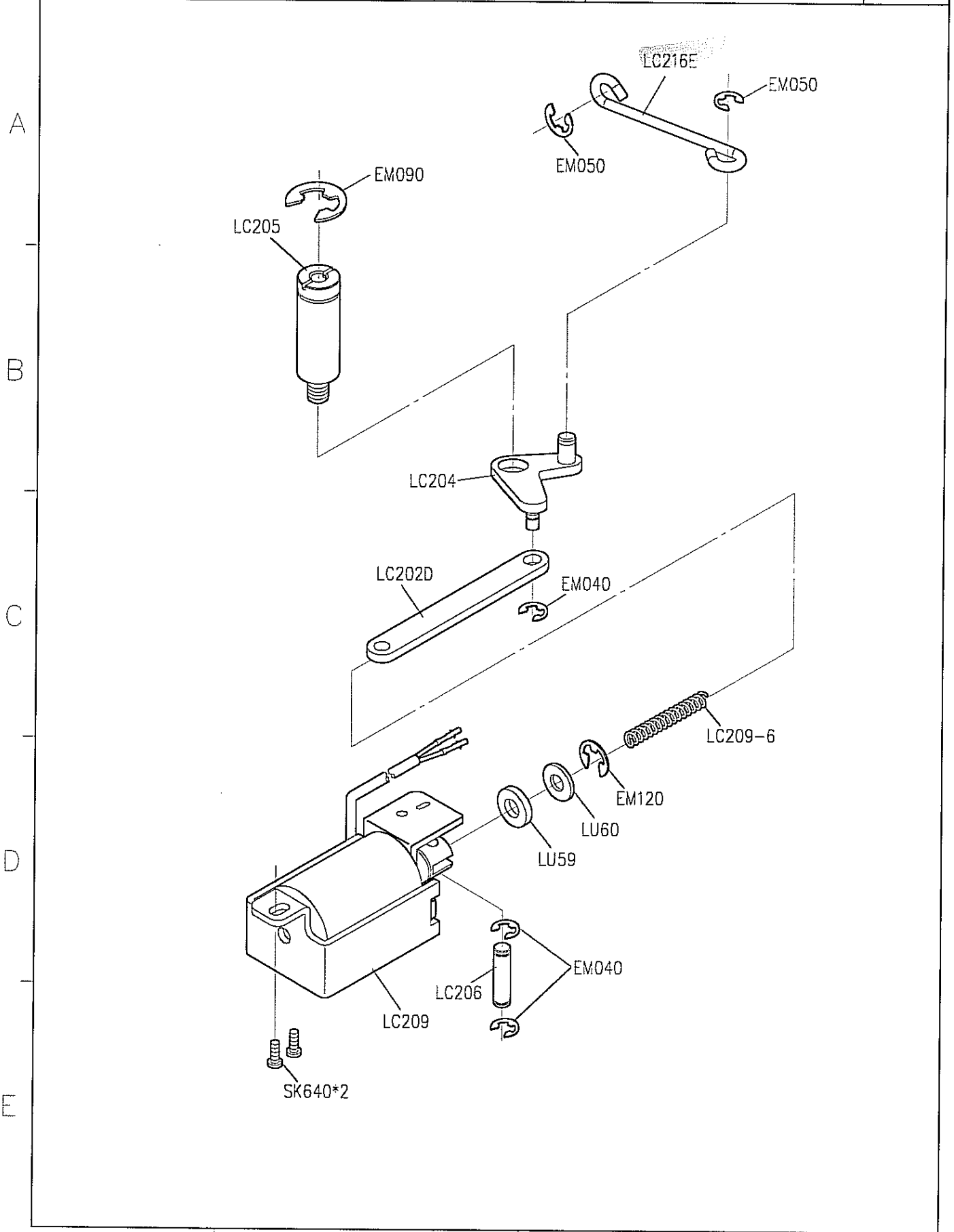
1/2

Date

2013/09/13



SIRUBA PARTS LIST	Series	Parts Group	Subclass / Remark	Page
	DL7000-BM1/BH1	LC		2/2
				Date
				2013/09/13



1 2 3 4 5

SIRUBA PARTS LIST	Series	Parts Group	Subclass / Remark	Page
	DL7000-BM1/BH1	LD		1/1
				Date
				2013/01/01

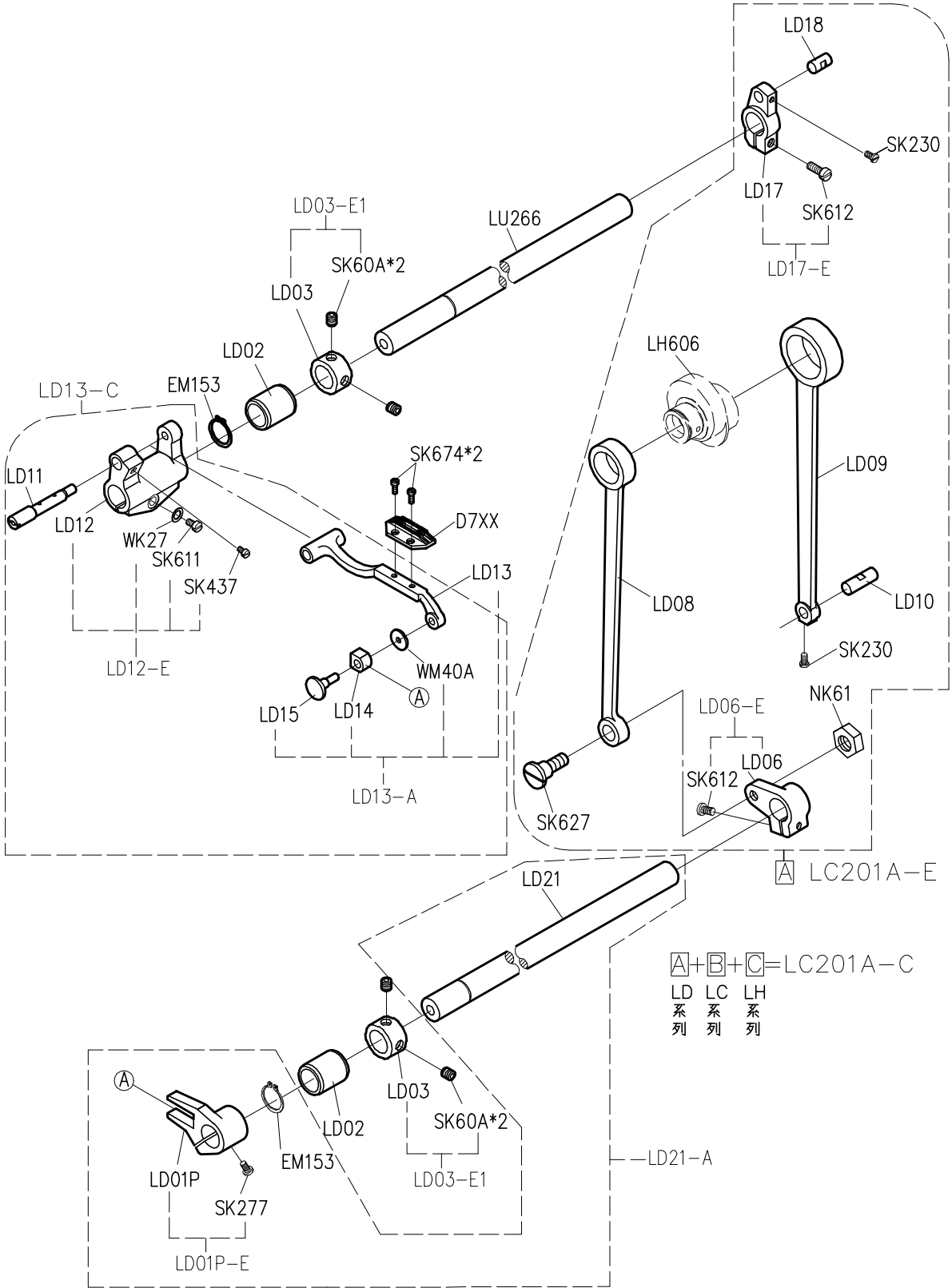
A

B

C

D

E



1

2

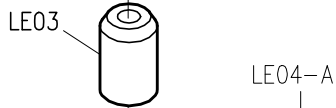
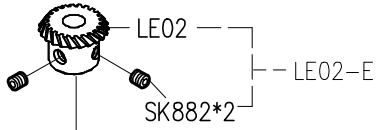
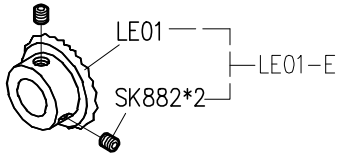
3

4

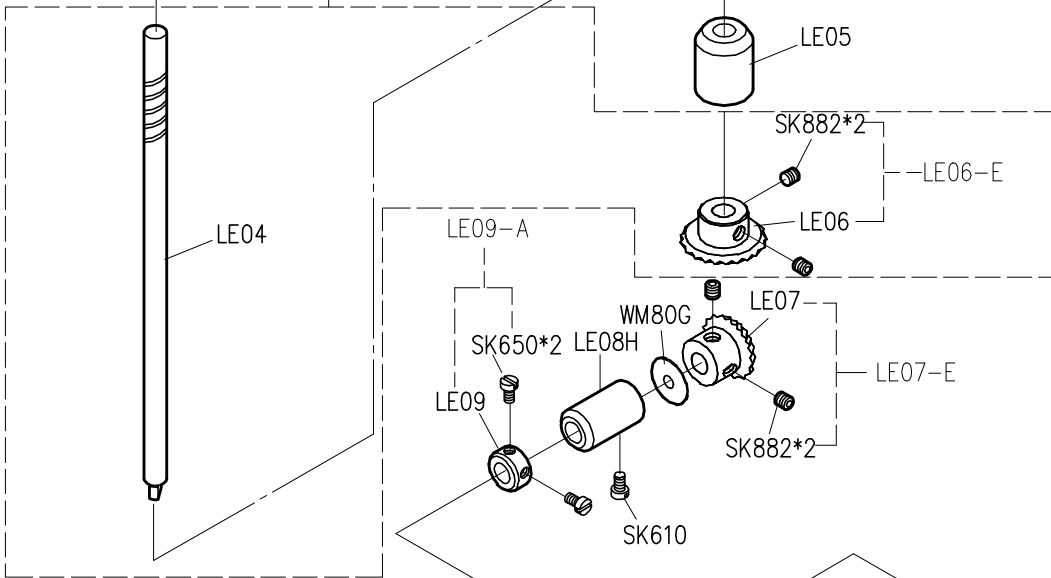
5

SIRUBA PARTS LIST	Series	Parts Group	Subclass / Remark	Page
	DL7000-BM1/BH1	LE		1/1
				Date
				2013/01/10

A

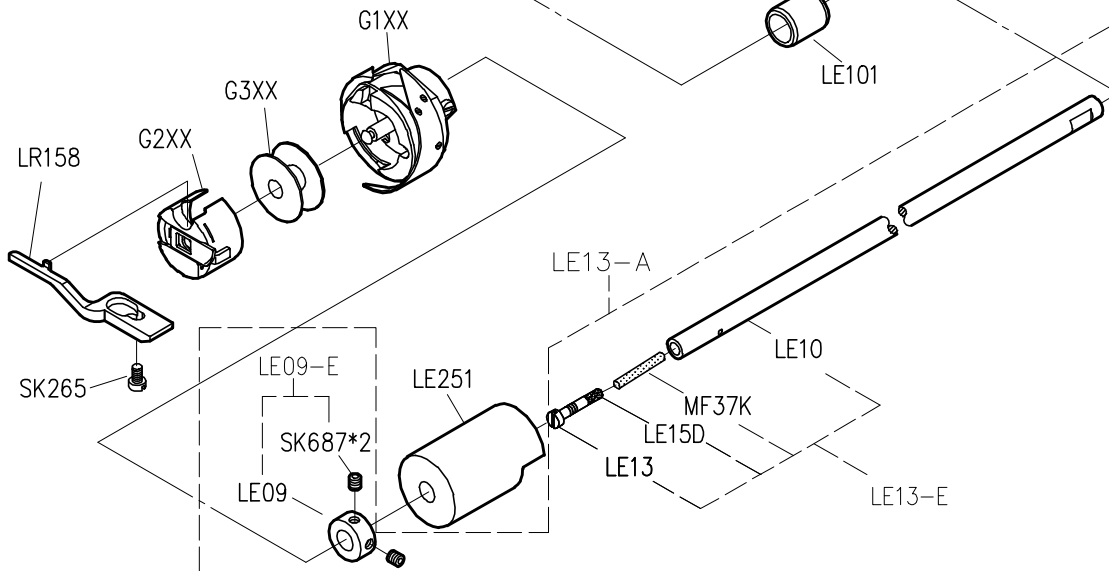


B



C

D



E

1

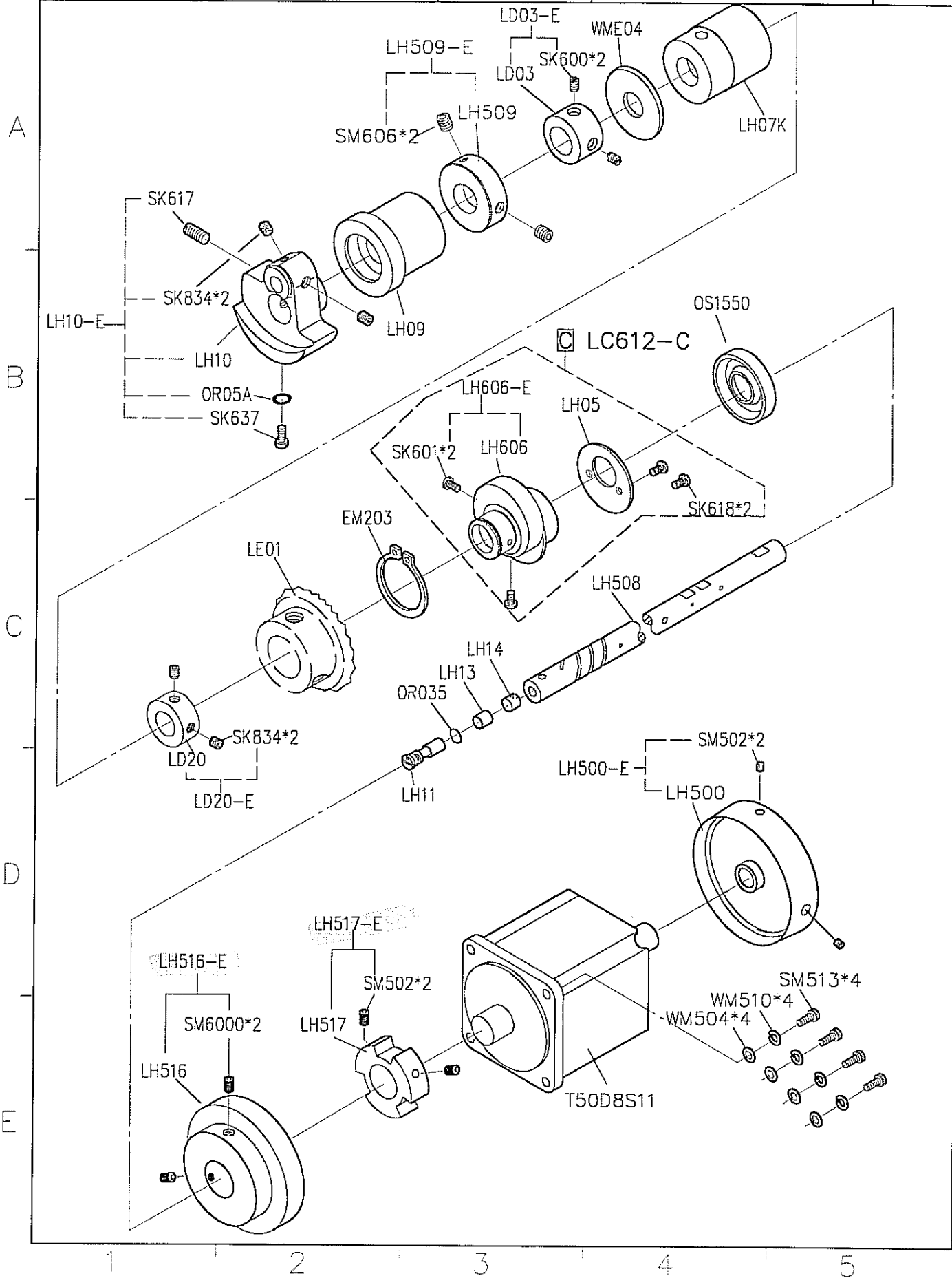
2

3

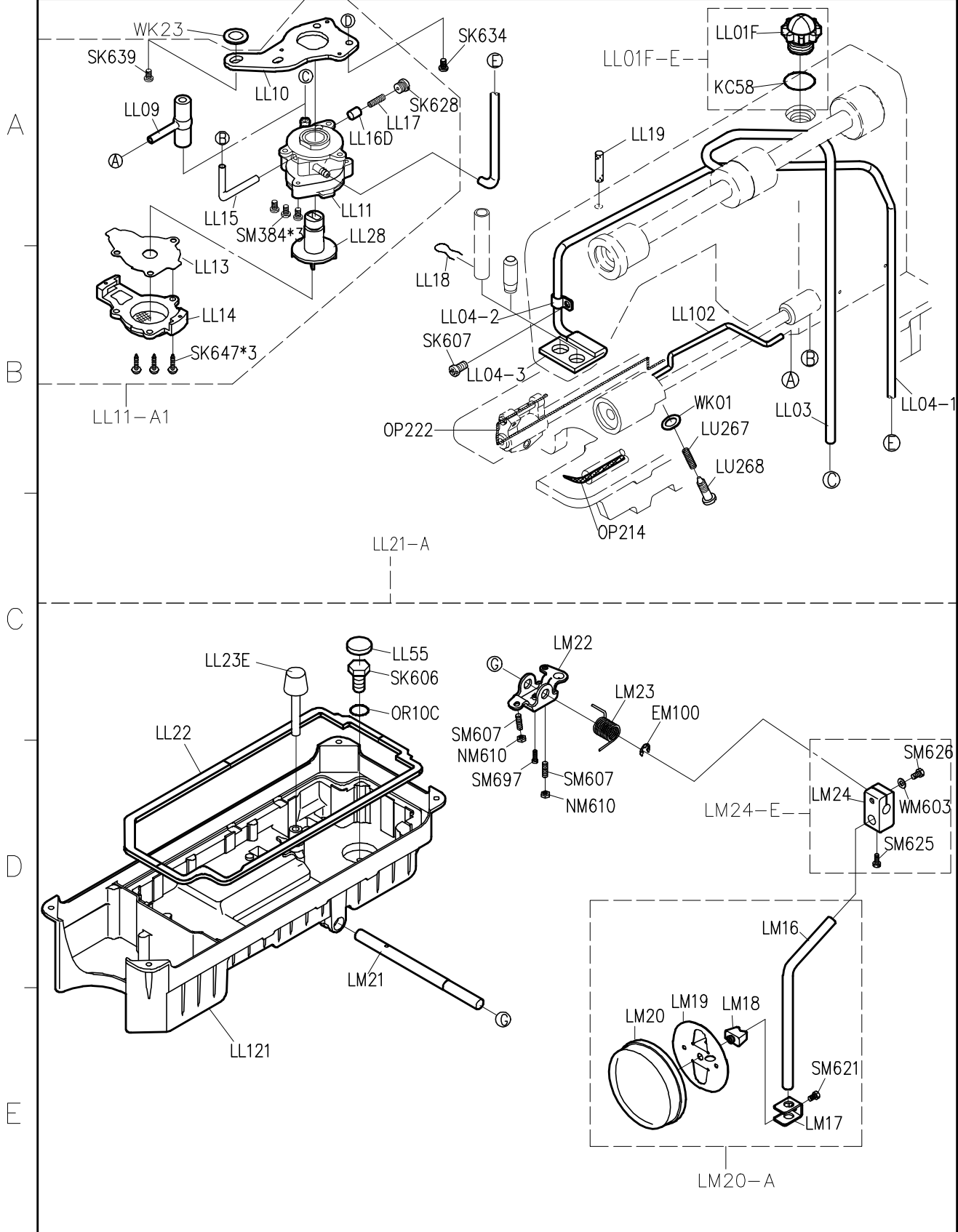
4

5

SIRUBA PARTS LIST	Series	Parts Group	Subclass / Remark	Page
	DL7000-BM1/BH1	LH		1/1
				Date
				2013/08/19

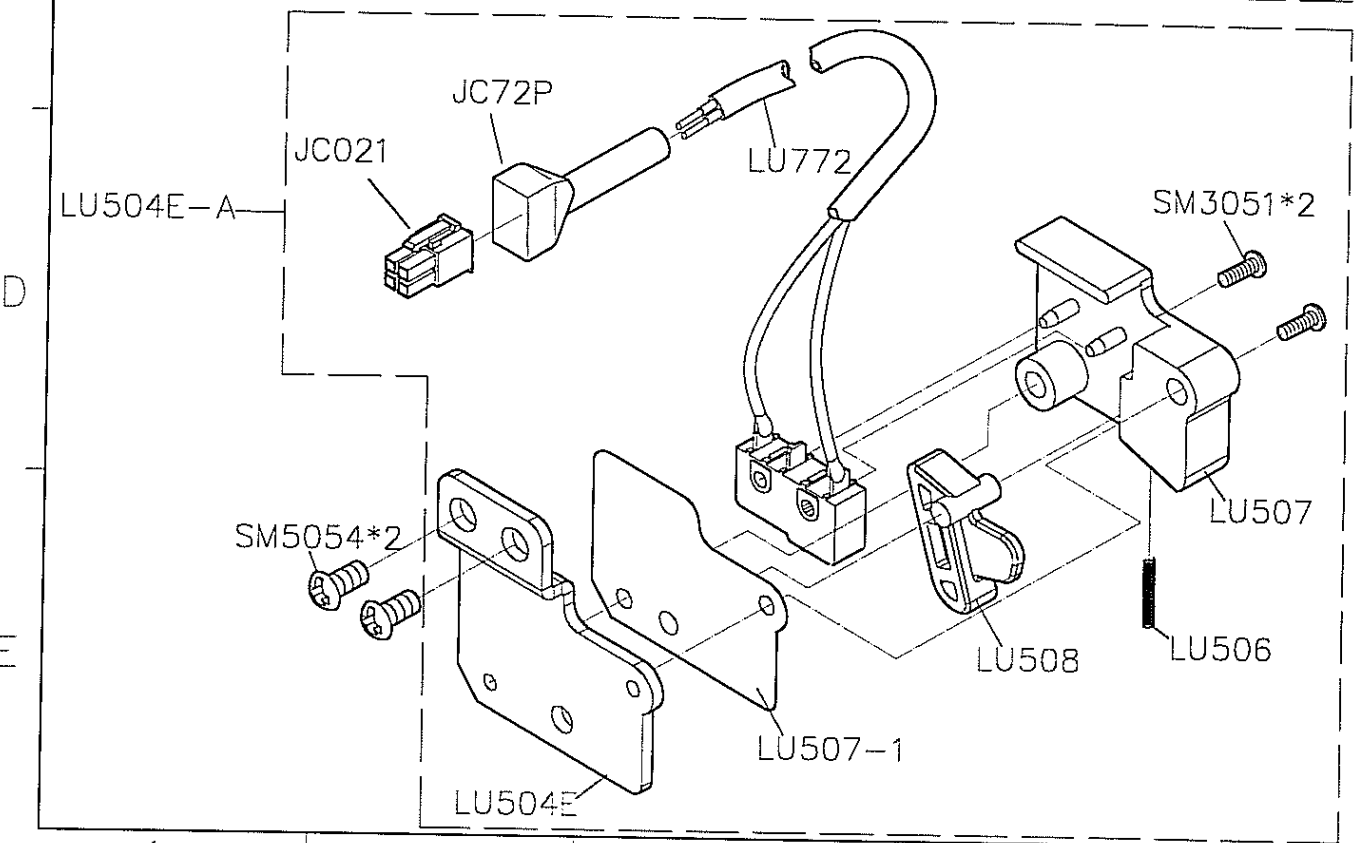
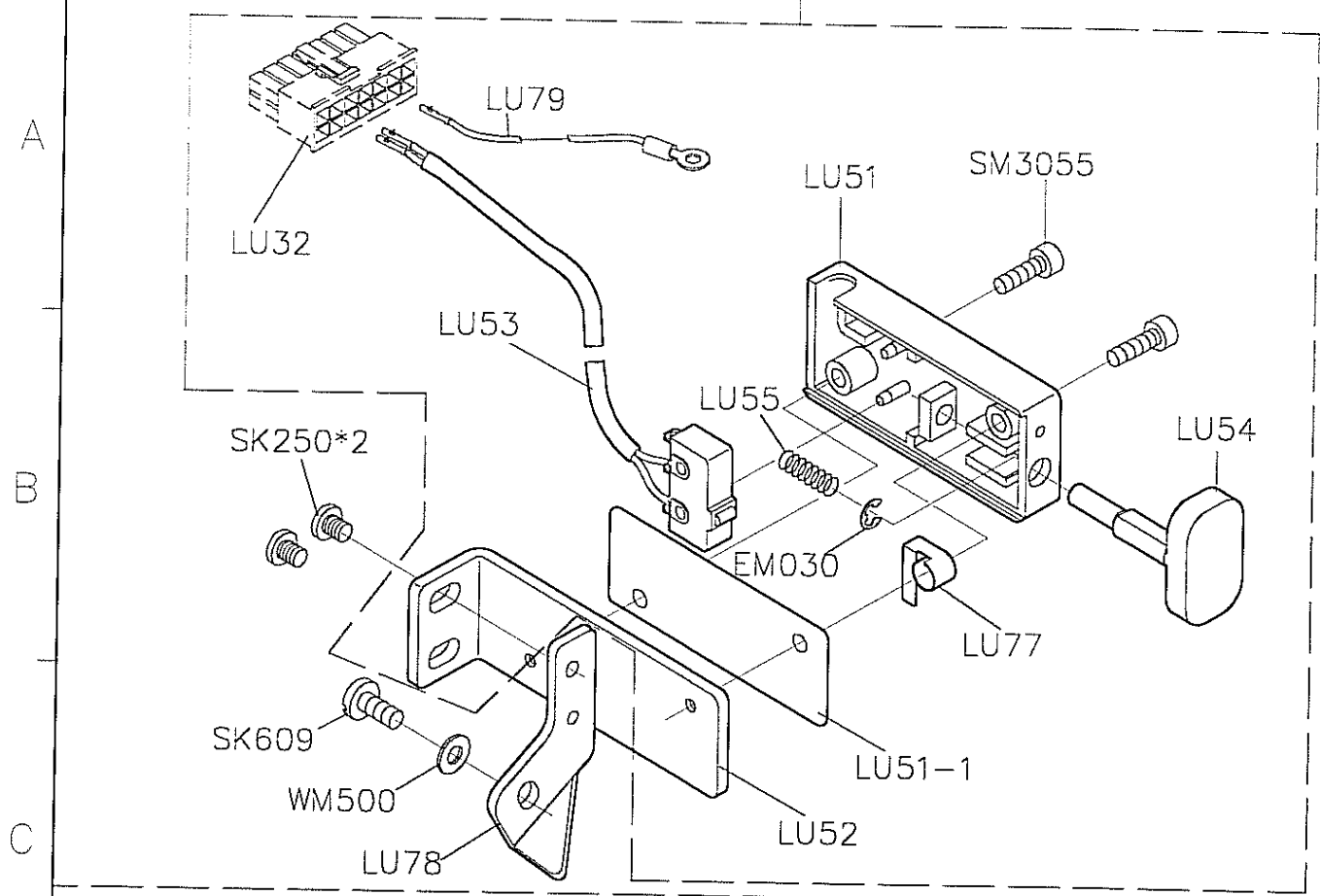


SIRUBA PARTS LIST	Series	Parts Group	Subclass / Remark	Page
	DL7000-BM1/BH1	LL		
				Date
				2013/01/01



SIRUBA PARTS LIST	Series	Parts Group	Subclass / Remark	Page
	DL7000-BM1/BH1	LU		2/5
				Date
				2012/12/01

LU51-A



SIRUBA

PARTS LIST

Series

DL7000-BM1/BH1

Parts Group

LU

Subclass / Remark

#:Use for BH1

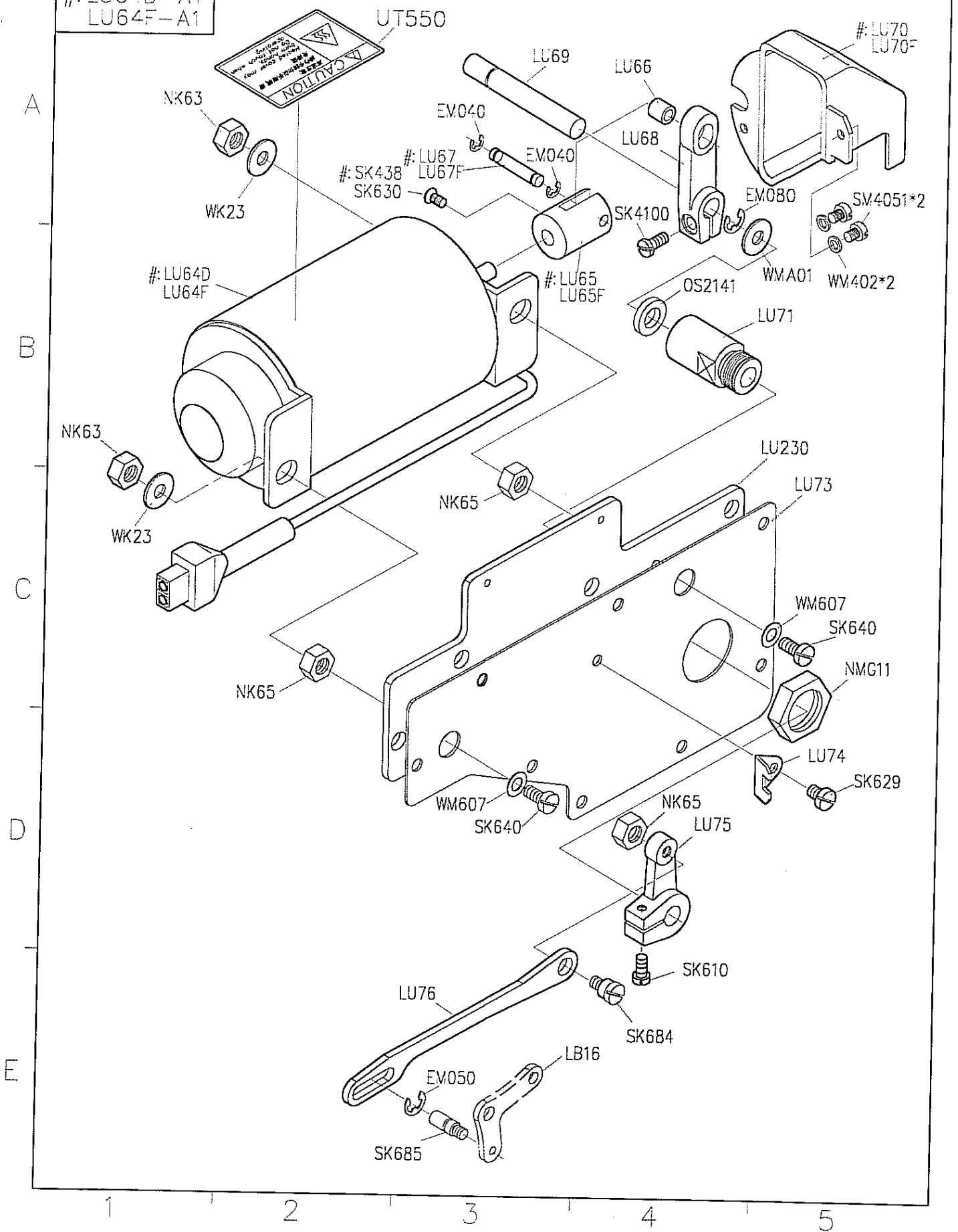
Page

3/5

Date

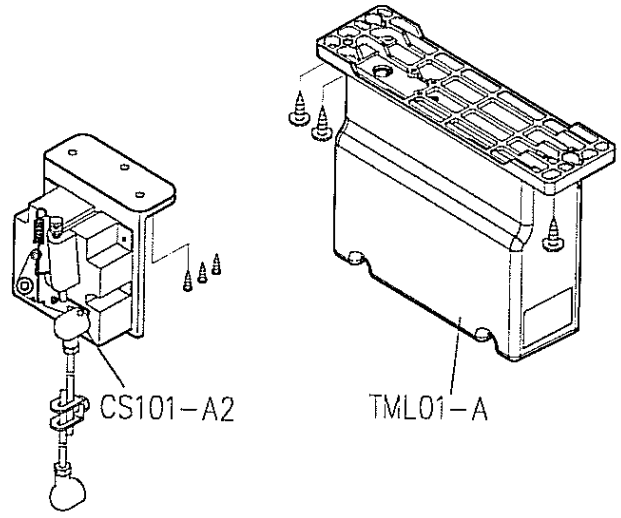
2013/01/01

#: LU64D-A1
LU64F-A1



A

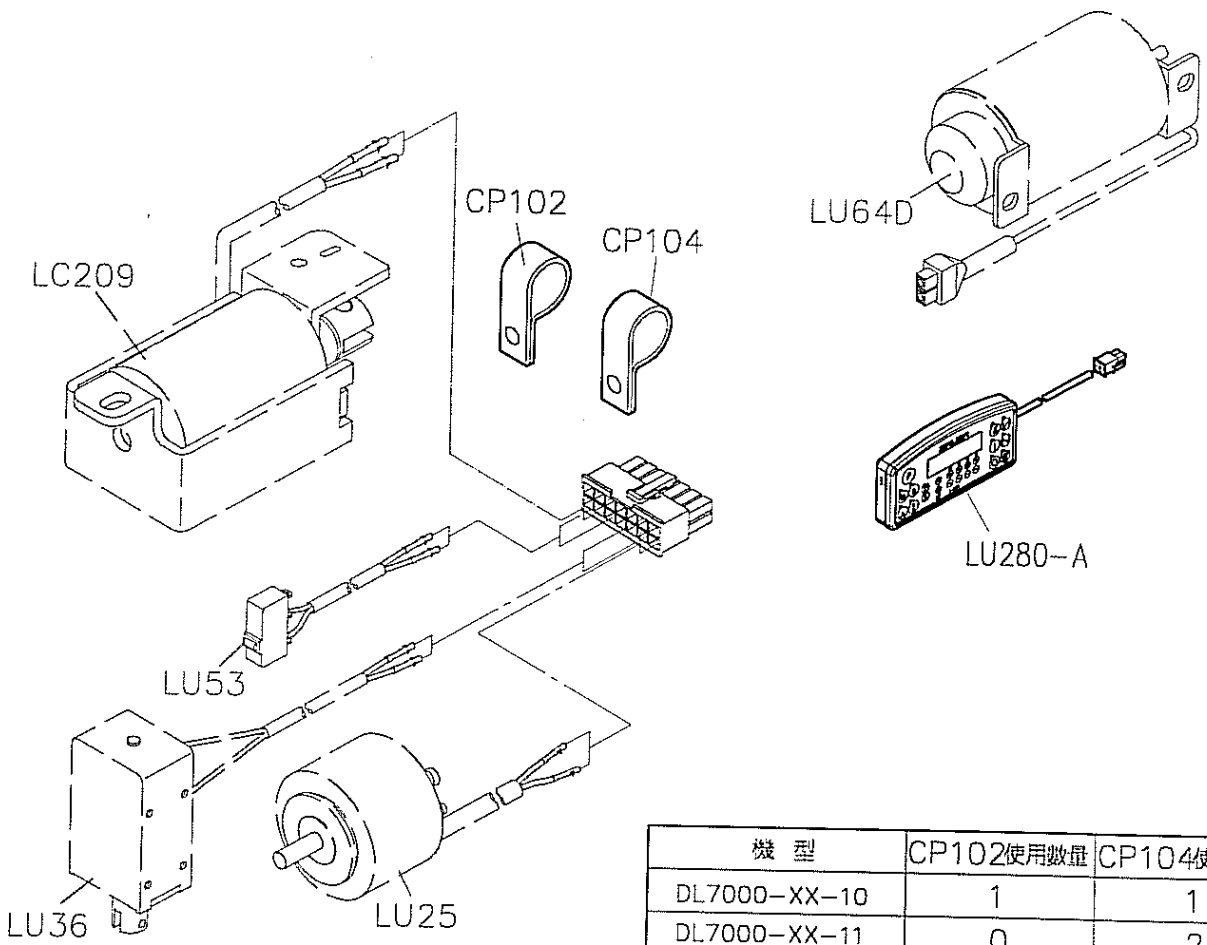
B



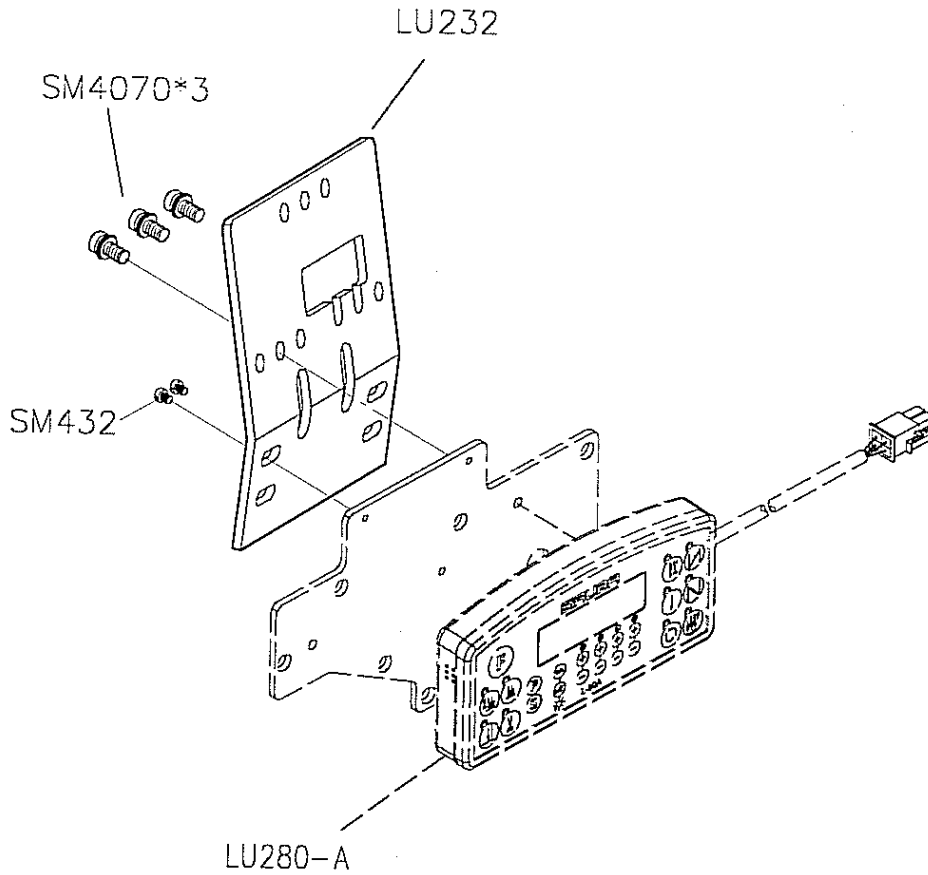
C

D

E

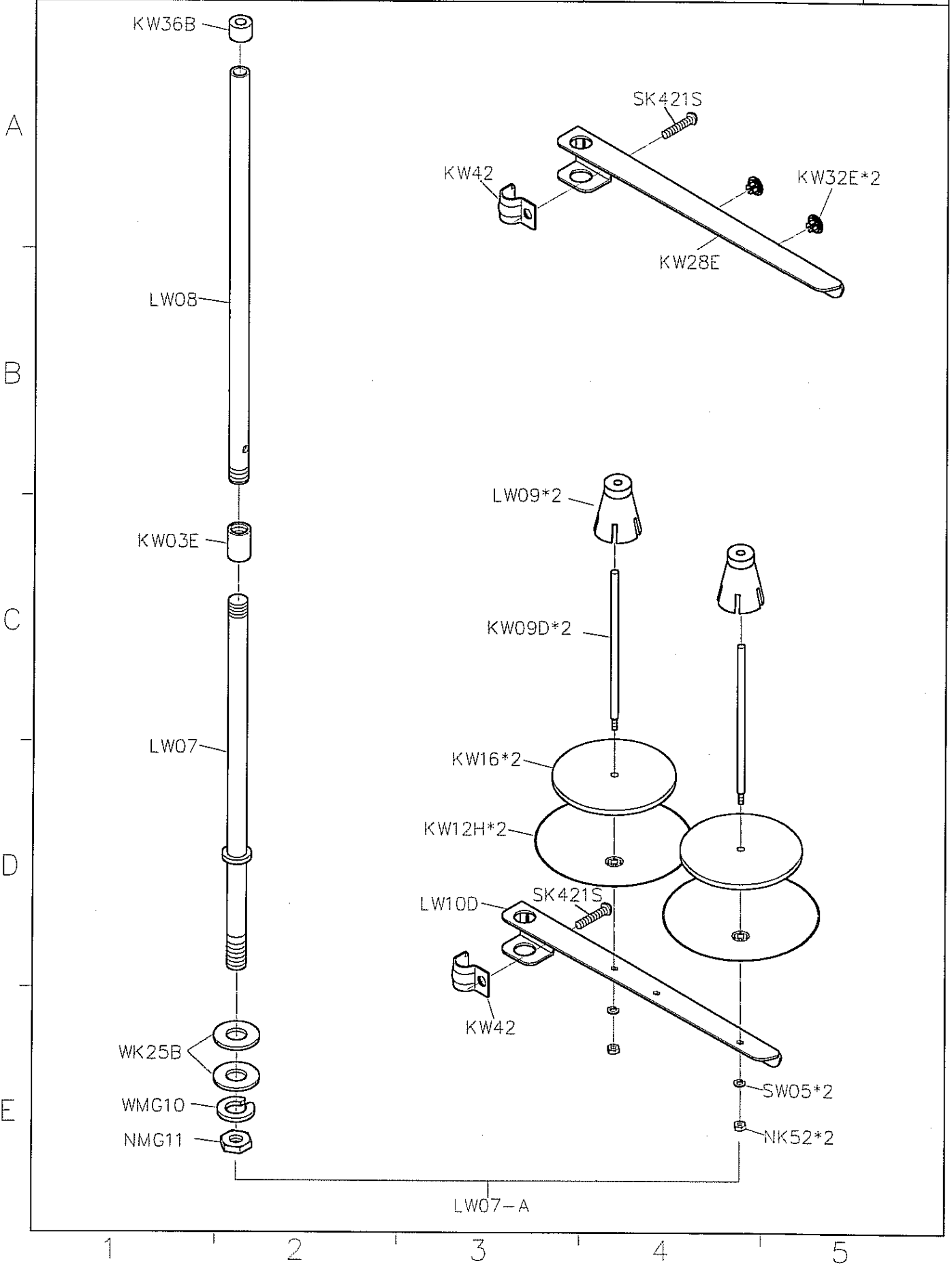


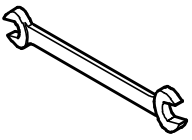

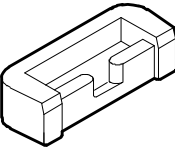
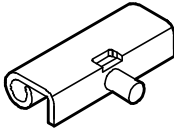

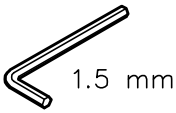
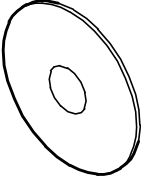





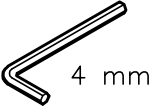

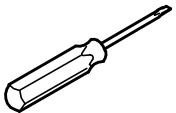
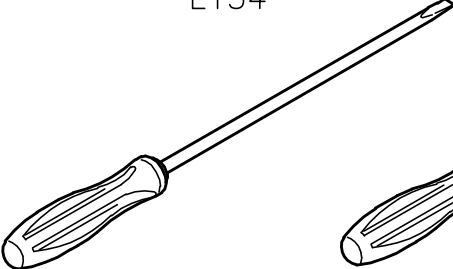
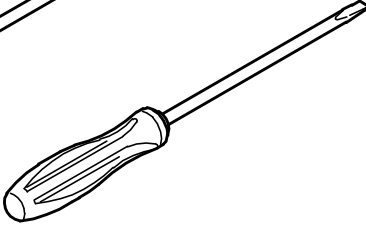

機 型	CP102使用数量	CP104使用数量
DL7000-XX-10	1	1
DL7000-XX-11	0	2
DL7000-XX-12	1	1
DL7000-XX-13	0	2



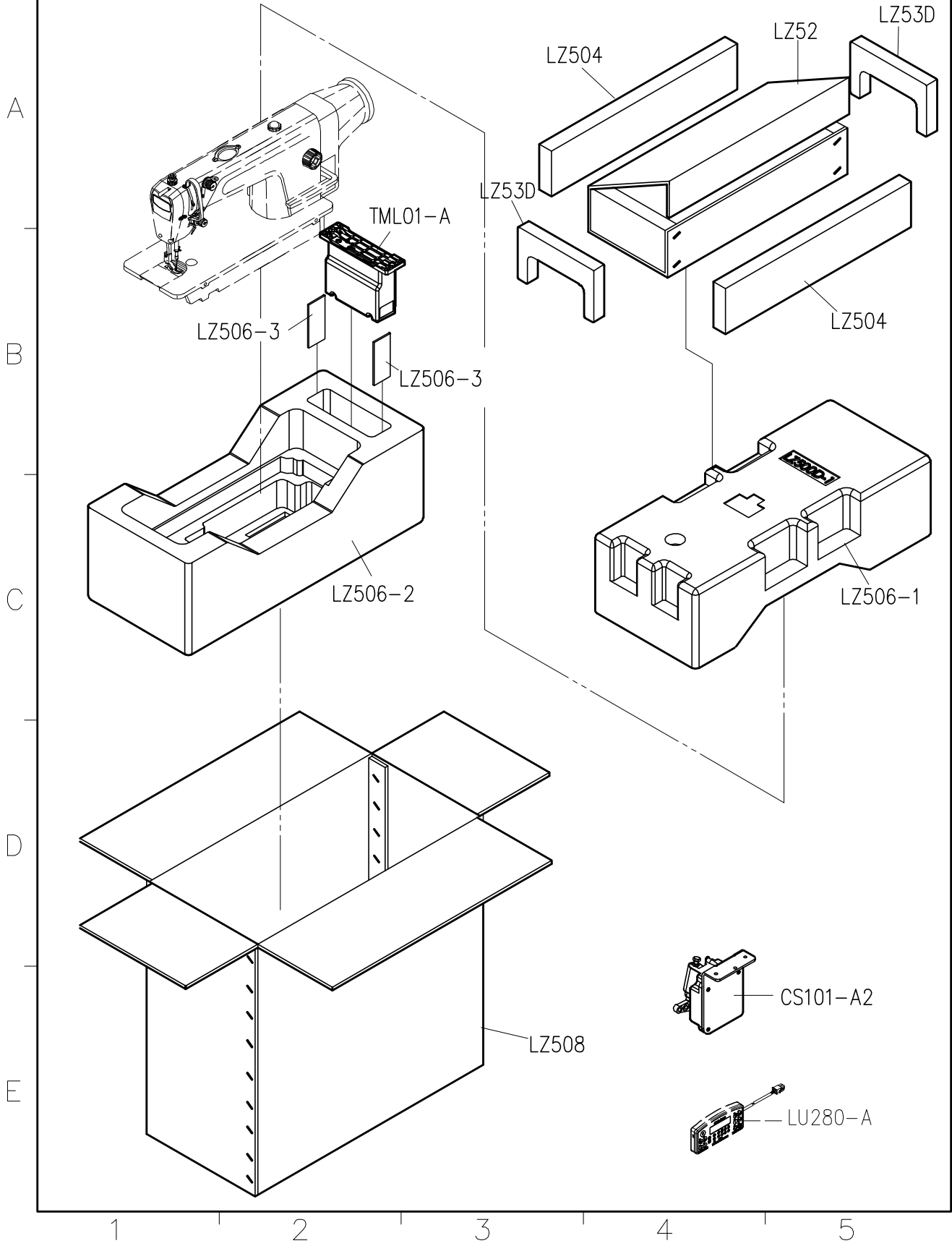
代碼 NO.	操作面板 Control Panel	代碼 NO.	自動切線 Auto THREAD Trimmer	快速倒縫 Reverse Feeding	撥線桿 Wiper	自動抬押具 Auto Lifer
1	LU280-A	0	v	v	-	-
		1	v	v	V	-
		2	v	v	-	v
		3	v	v	v	v

SIRUBA PARTS LIST	Series	Parts Group	Subclass / Remark	Page
	DL7000-BM1/BH1	LW		1/1
				Date
				2012/04/10



SIRUBA PARTS LIST	Series	Parts Group	Subclass / Remark	Page
	DL7000-BM1/BH1	LY		1/1
				Date
				2013/01/09
LY01	LY02	YM04*2	LY05*2	YM102*2
				
MY09	LY502K	KY201	LY37-A	YM103*2
				
針*2	LY38	MY12		G3XX
				
LY33	LY34	LY35		KZ03*1
				
1	2	3	4	5

SIRUBA PARTS LIST	Series	Parts Group	Subclass / Remark	Page
	DL7000-BM1/BH1	LZ		1/1
				Date
				2013/01/01



SIRUBA

TABLE
CUT - OUT

Series	Item Code	Subclass / Remark	Mounting
DL7000	DL7000T-T1		Fully-submerged
			Date
			2013/03/10

單針高速直驅式平縫下乘式車板圖
TABLE CUT-OUT SEMI-SUBMERGED
單位/UNIT: mm
所有尺寸公差/DIFFERENCE: ±2
DL7000T-T1-1070 長度(L): 1070 / 重量: 10kg±5%
DL7000T-T1 長度(L): 1200 / 重量: 11.4kg±5%
全封邊夾格紋光塑面台板

